

RoHS

5000±70

19 20

P1

P2

1 38

GORE 24AWG

**Material RoHS Compliant:**

1. Cable:
  - CONDUCTOR: 24AWG SOLID SILVER PLATED COPPER
  - INSULATION: ePTFE
  - PAIR: 2 SINGLES LAID FLAT AND PARALLEL
  - CORE: 8 PAIRS
  - PAIR DRAIN WIRE: 30AWG SOLID SILVER PLATED COPPER
  - PAIR SHIELD: VACUUM DEPOSITED ALUMINUM POLY SHIELD
  - INNER SHIELD: ALUMINUM POLYESTER
  - OUTER SHIELD: 38AWG TIN PLATED COPPER BRAID, 85% COVERAGE.
  - DIAMETER: 9.27mm
  - PRINT LEGEND: "W.L. GORE & ASSOC. QSPF1002\_REVC  
XX-XX-XX(D/C) E76025-N 24 CL2 75C (UL)"
2. Connector:
  - P1,P2: 4x-Pluggable-QSFP(SFF-8436)
  - (1) P.C.B: 4 LAYERS, GOLD PLATING ON CONTACT PADS.(SPCB-040078A, AC Coupling)
  - (2) Latch: Stainless Steel with Pull Tab.
  - (3) Backshell: Zinc Die Casting Hood/ Nickel Plating.

3. For Infiniband DDR & QDR USE.
4. Two-Wire Serial Memory: Atmel AT24C02B EEPROM(256 Bytes), Digital monitoring & control function and memory page not supported.

Rev.	Remark	Date	Sign.

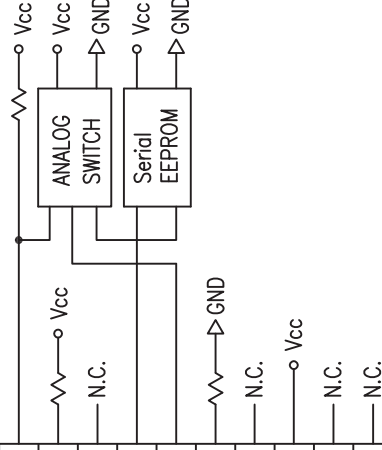
Desc.	QSFP Passive Cable Assembly	Approved	Checked	Designed	Tolerance	Scale	*	Unit	mm
P/N	UASS-RC003063G	Customer P/N	Sino	Date	*	10/20/11	DWG NO: DWG\RC\3063G	9	9

Rev.	Remark	Date	Sign.

### WIRING DIAGRAM

HIGH SPEED SIGNAL	
P1(4x-Pluggable-QSFP)	P2(4x-Pluggable-QSFP)
PAD	PAD
02	21
03	22
05	24
06	25
14	33
15	34
17	36
18	37
21	02
22	03
24	05
25	06
33	14
34	15
36	17
37	18
GND GROUP	GND GROUP
GND GROUP	GND GROUP
01,04,07,13,16,19	01,04,07,13,16,19
20,23,26,32,35,38	20,23,26,32,35,38

Low Speed Signal & Power	
P1,P2(4x-Pluggable-QSFP)	SIGNAL
PAD	SIGNAL
08	ModSelL
09	ResetL
10	VccRx
11	SCL
12	SDA
27	ModPrsL
28	IntL
29	VccTx
30	Vcc1
31	LPMode



\*DC BLOCKING CAPS ON P1,P2 RX END.

1	2	3	4	5	6	7	8	9		
Desc.	QSFP Passive Cable Assembly			Approved	Checked	Designed	Tolerance	Scale	Unit	mm
P/N	UASS-RC003063G			Customer P/N	Sino	*	*	Date	10/19/11	DWG NO: DWG\RC\3063G
1	2	3	4	5	6	7	8	9		